

YTK

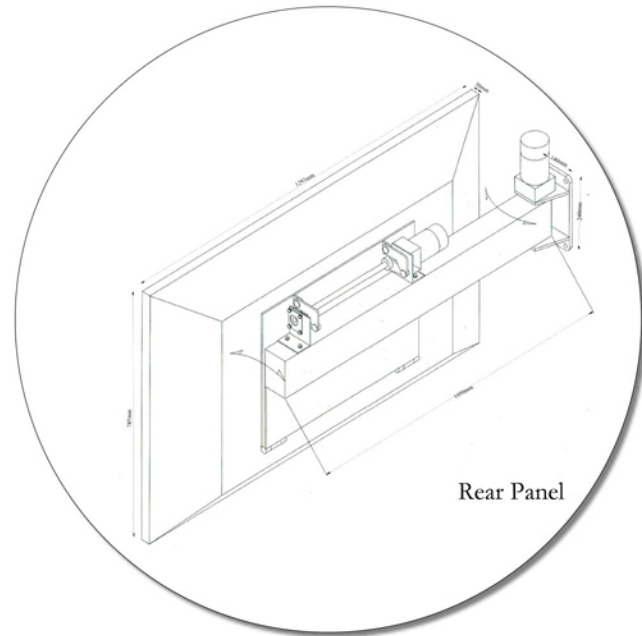
LCD/LED Mon Electric Rotating mount Series



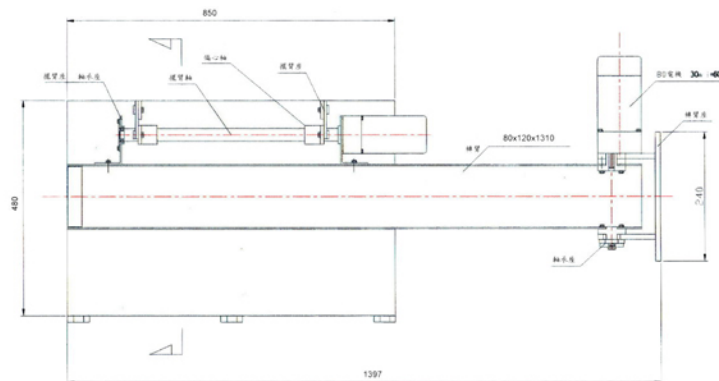
YTK LR-65T



Up/Down 0-30°



Diagram



YTK LR-65T LCD Mon Electric Rotating mount (Two level position)

YTK



left/right 0-120°



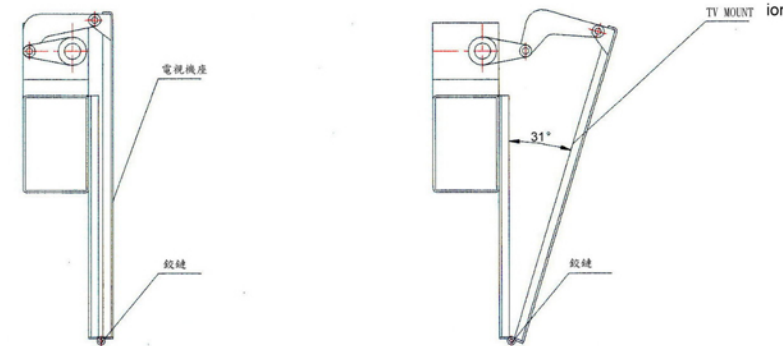
Descriptions

- Supply RS232/RS485, Including: Manual and wireless remote control
- Function: Automatic setting of Two section: stop
- Material: Iron of A3
- USA damping motor, Brake
- The adjustable angle for LCD mount bracket
Angle: left/right 0-120°, Up/Down 0-30°
- Automatic setting of Two section: stop
- Color: Phenolic plastics/black,
Surface treatment: Bake of high temperature
- Weight: 40kg
- Load weight: 85kg
- Mount bracket for 65" TV
- Dimensions: 1397x80x120mm
- TV Mount Dimensions: 850 x 480mm
- Power Supply: 220 V / 50 ~ 60 Hz



RF Series control

Diagram



Agent: